

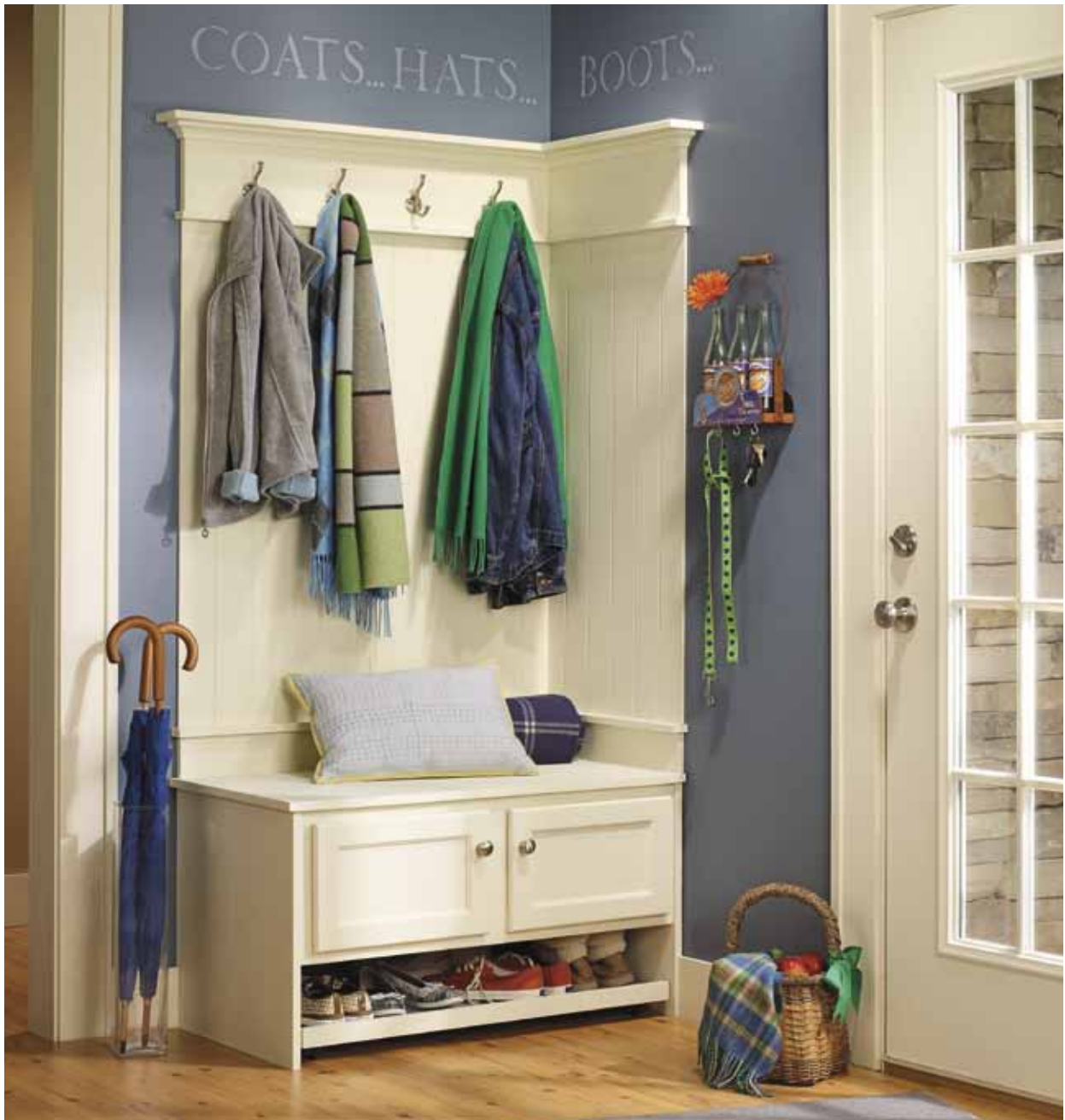
Home Storage

made simple



Easy Entryway Organizer

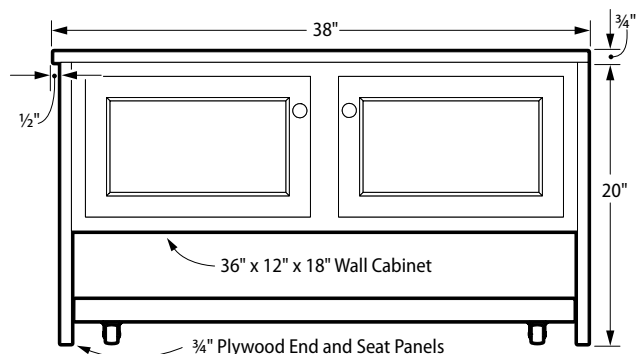
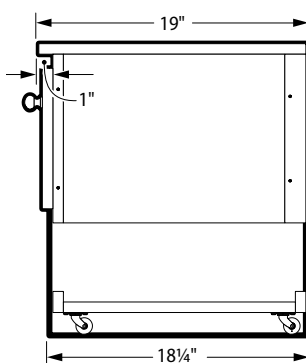
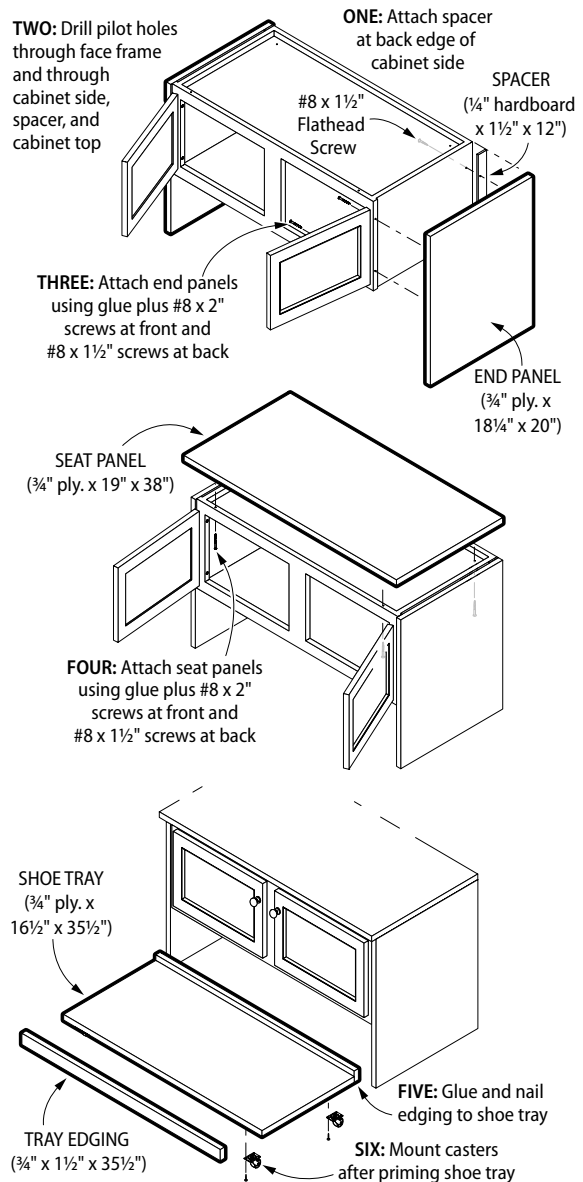
On the following pages you'll find step-by-step instructions, photos, and illustrations that you can use to create this entryway organizer. For more information about this project, see *Home Storage Made Simple*.



build the bench

- The bench is easy to build because it starts with an unfinished 12"-tall kitchen wall cabinet from the home center. You can use a standard 12"-deep cabinet, or special order an 18"-deep model, as shown here. This will give more storage space inside the bench.
- Once you have the cabinet, all you have to do is wrap it in plywood. Two end panels go on to raise the bench to a comfortable sitting height. A seat panel ties it all together. The *illustrations* at right take you through the assembly process.
- You can easily cut these pieces with a circular saw and a straightedge, or take the dimensions to the home center and have the plywood cut for you.
- To add the end panels, first cut spacers from $\frac{1}{4}$ "-thick hardboard, and then adhere them to the sides of the cabinet with glue or double-faced tape (*Step One*).
- Drill holes through the edges of the face frame, through the sides and spacers, and through the top of the cabinet for screws (*Step Two*).
- Now apply glue where the end panels will touch the face frame and the spacers. Hold each panel in place, and secure the end panels by driving screws into them from inside the cabinet (*Step Three*).
- After the sides go on, it's time to add the seat panel. It's wider and longer than the rest of the assembly, so it overhangs in front, as well as on the end that's not butted into the corner.
- To attach the seat panel, apply glue to the top edges of the cabinet and end panels, and then screw it in place from inside the cabinet (*Step Four*).
- Once the bench is assembled, you can create the shoe storage tray. Just cut the plywood tray to size, and then cut two pieces of edging to match from a 1x2 board. Then glue and nail the edging onto the front and back edges of the tray (*Step Five*).
- Now you need to fill the edges of the plywood panels with hardening wood filler. Once it dries, sand the edges smooth, and sand other areas that need it, too.
- After sanding, prime all the surfaces of the bench and tray. This is easier if you remove the cabinet doors. Once the primer dries, you can reinstall the doors and mount casters to the shoe tray (*Step Six*).

how it's made



add a wall treatment

- To give the organizer the look of a custom built-in, add a wall treatment. You can see how it all goes together in the *illustrations* at right.
- First cut the pieces to length (except the cove molding), and then prime everything before installation.
- Now install the bench. For the best fit, cut out the baseboard, and then slip the bench in place (*Step One*).
- Next, secure the back base rail with adhesive and finish nails (*Step Two*). Mark the nail locations and drill holes to prevent the wood from splitting.
- Next, add the side base rail (*Step Three*), and the base rail caps (*Step Four*).
- Now you can add the vertical V-groove panels, starting with the outer piece on the back wall (*Step Five*). Then work your way toward the corner (*Step Six*). You may have to cut the corner piece to fit.
- Once the back pieces are in, install the side pieces in the same way (*Step Seven*).
- Now you can top it off with a cap above the V-groove panels, followed by the coat-hook rail (*Step Eight*).
- To add the horizontal top cap, drive nails into the studs to secure the top cap (*Step Nine*).
- Attaching the cove molding finishes up the installation (*Step Ten*). Start by cutting extra-long pieces to fit along the back wall and the side wall. Miter the mating ends at 45 degrees.
- Then hold each cove piece in place and mark where the other end crosses the end of the coat-hook rail (*photo 1*). Now miter that end. Next, cut a small piece, called a return, that reaches back to the wall. Cut it to final length (*photo 2*), and then glue it in place (*photo 3*).
- Now all you have to do is paint the entry organizer, and install the coat hooks.



1 2 3

Resources

Available at Lowes.com or in Lowe's Stores:

- 36"x12"x18" Unfinished Oak Wall Cabinet
- MDF V-Groove Plank Paneling #304517
- Satin Nickel Raised Panel Knobs #214919
- Satin Nickel Garment Hook #133077
- 1 1/4" Roller Casters #66941
- 1x2, 1x4, 1x8 Poplar Boards
- 1/4" Poplar Cove Molding
- Clear Heavy-Duty Carpet Protector

Sources and item numbers current as of Jan. 2012

how it's made

